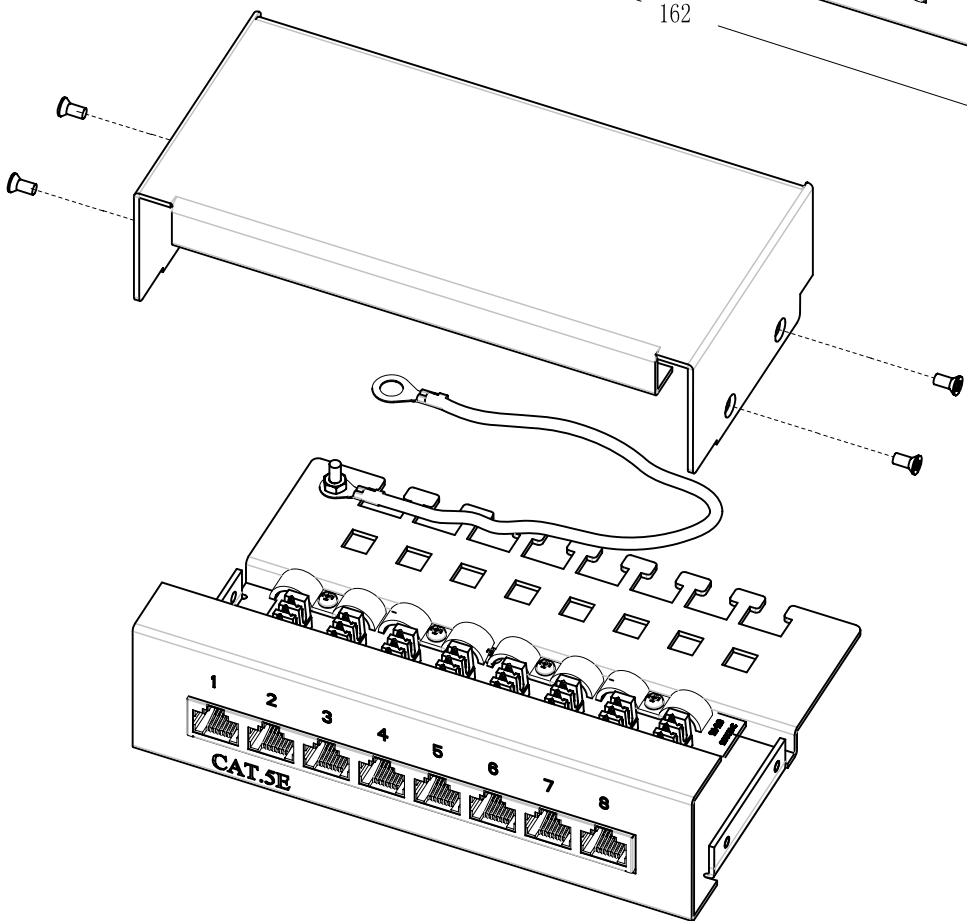
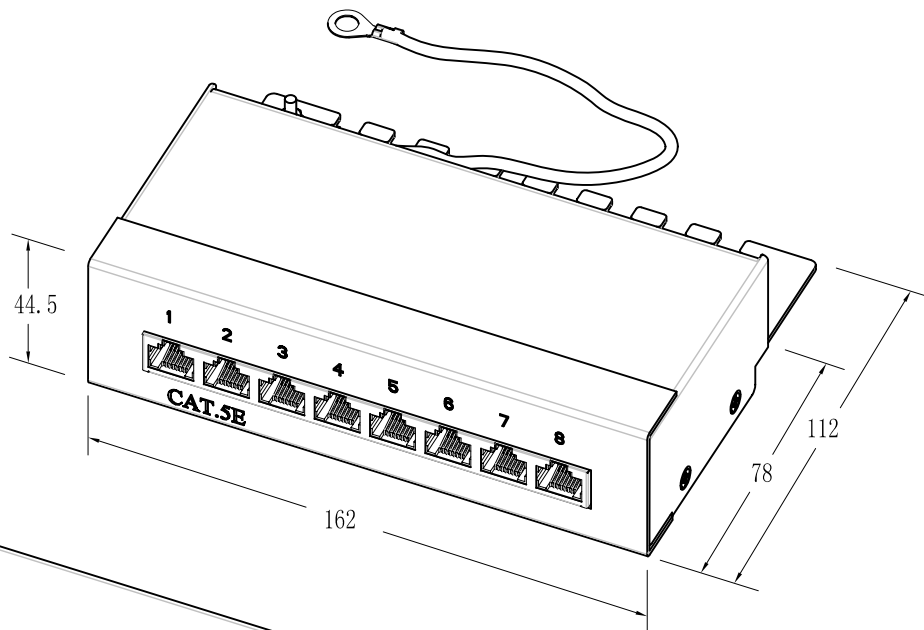


Cat.5E 8 Port Vertical Patch Panel (FTP)



Performance:

Meets Cat.5E EIA/TIA 568B.1 Standard.

Materials:

Bottom Panel: 1.5mm thickness Metallic Panel(SECC)/RAL7035

Upper Panel Cover: 1.0mm thickness Metallic Panel(SECC)/RAL7035

RJ-45 Jack : Housing-PBT/ FTP 8P8C 6 micro inches gold plated

PCB : FR-4/1.6mm UL-94V0

IDC Body : Fireproof PC/ABS UL-94V0/With Colour Coded Printing T568A/B

IDC Pin : Bronze & Tinned

IDC Terminal: For 22-26 AWG Cable

Electrical Specifications:

Insulation Resistance: 500M ohms (min.)

Contact Resistance: 20m ohms (max.)

Current Rating : 1.5 Amps.

DC Resistance: 0.1 ohms(max.)

Withstanding Voltage : 1000 VAC RMS @ 60Hz/ 1 min.

Mechanical Specifications:

IDC Punch Down Cycle : Over 25 Cycles (min.)

RJ-45 Jack Insertion Cycle : Over 200 Cycles (min.)

Accessory:

1.M3 Screw Set,For Pre-Assembled Ground Wire

2.Cable Tie(75X1.9mm)X8Pcs

3.Instruction Sheet

DRAW NO:		ITEM NO:	FP-2908S-C5E
	APPR	Johnny Wang	CUSTOMER NO:
			37650.2
UNIT:	mm	DESIGN	Guo 1111
			CUSTOMER:
			EFB
SCALE:	TOLERANCE	.±1 .X±0.2 .XX±0.15	DATE:
			08.10.2006

ROHS compliant



EFB-ELEKTRONIK GmbH